

MM

DESIGN

creative
spirit(s)



Team

Location

Mission

Process

Gallery



Team

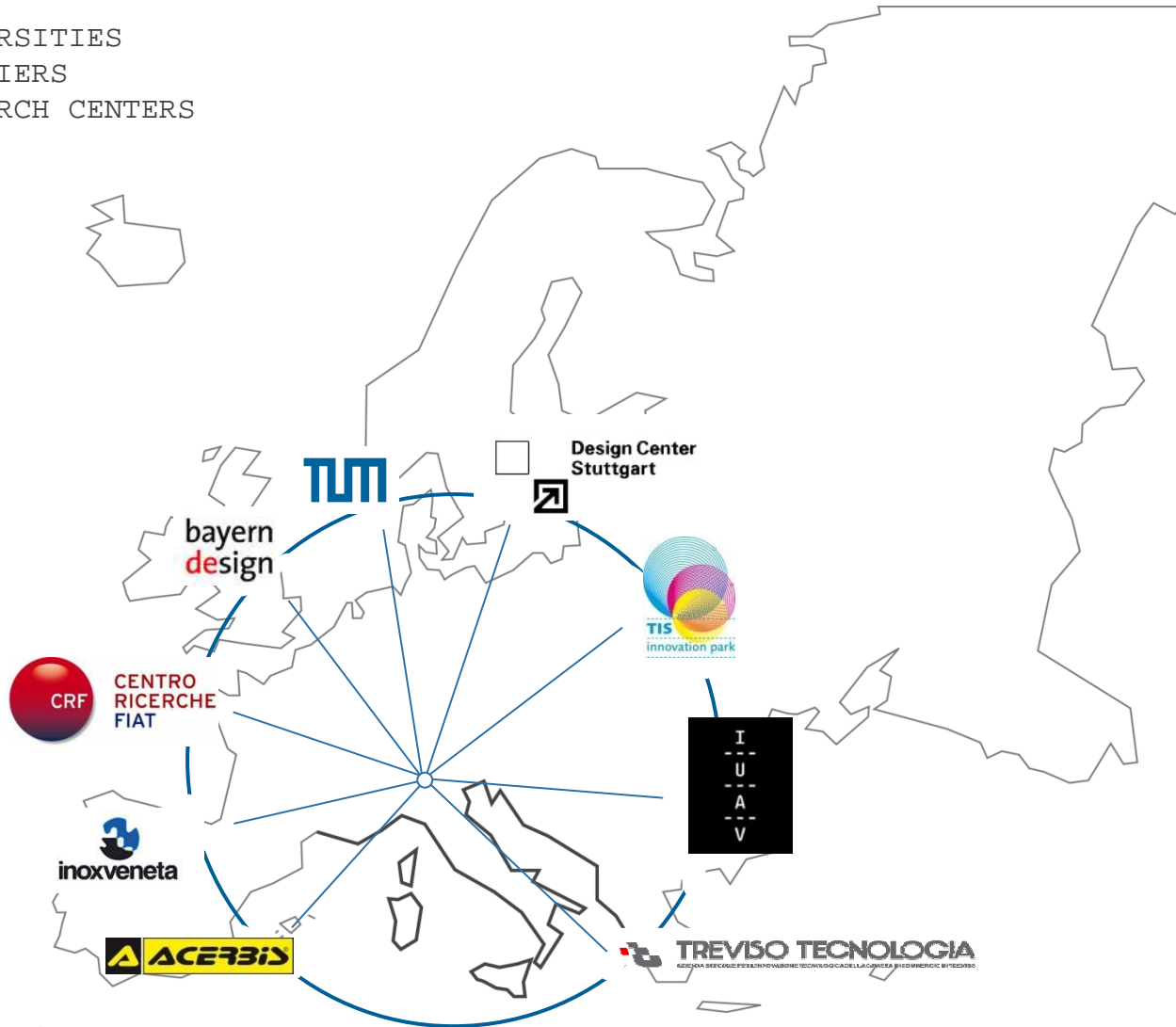
Location

Mission

Process

Gallery

UNIVERSITIES
SUPPLIERS
RESEARCH CENTERS



Networking

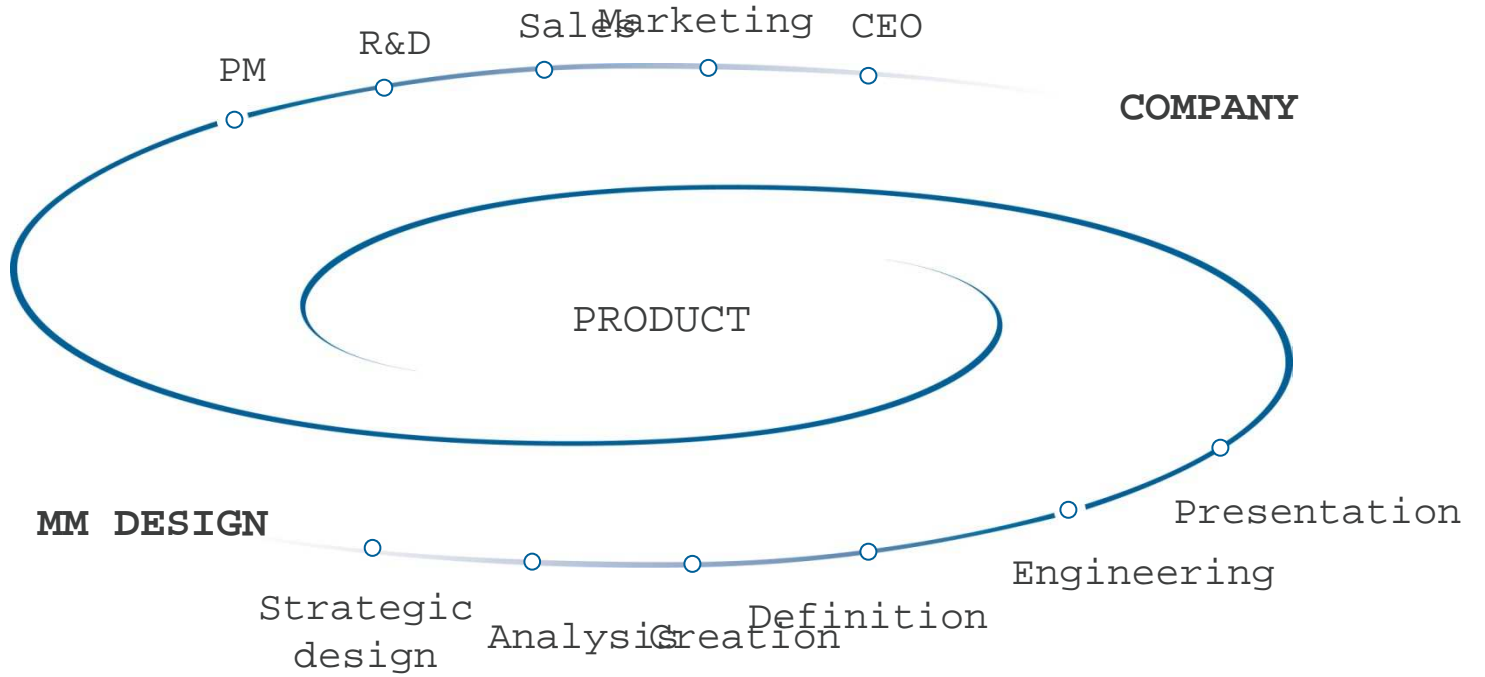
Team

Location

Mission

Process

Gallery



Team

Location

Mission

Process

Gallery



Snow Gun | T60 | Technoalpin | Italy



Team

Location

Mission

Process

Gallery



Training Analyser | **Optojump** | Microgate | Italy



Team

Location

Mission

Process

Gallery



X-Ray Wood Analyser | **Goldeneye** | Microtec | Italy



reddot design award
honourable mention 2009

Team

Location

Mission

Process

Gallery



Cleanstation | **G403** | Gioel | Italy



Team

Location

Mission

Process

Gallery



Snowboard boot | **Reactor** | Burton | USA

Team

Location

Mission

Process

Gallery



Frigidaire | **Bombino** | Smeg | Italy

Team

Location

Mission

Process

Gallery



Carabiner | **Attac** | Salewa | Germany



Design
Award
Winner
1999



Team

Location

Mission

Process

Gallery



Ice Crampon | **Impact** | Salewa |
Germany

Team

Location

Mission

Process

Gallery



Design
Award
Winner
1999



Door Handle | **Genova** | Hoppe |
Switzerland

Team

Location

Mission

Process

Gallery



Skiboot | **VirusLite** | Dalbello | Italy



Team

Location

Mission

Process

Gallery



Safty Seat | **Serie 400** | Provex |
Italy



Team

Location

Mission

Process

Gallery



Garden Tools | **Delfino** | GoldenStar | Japan

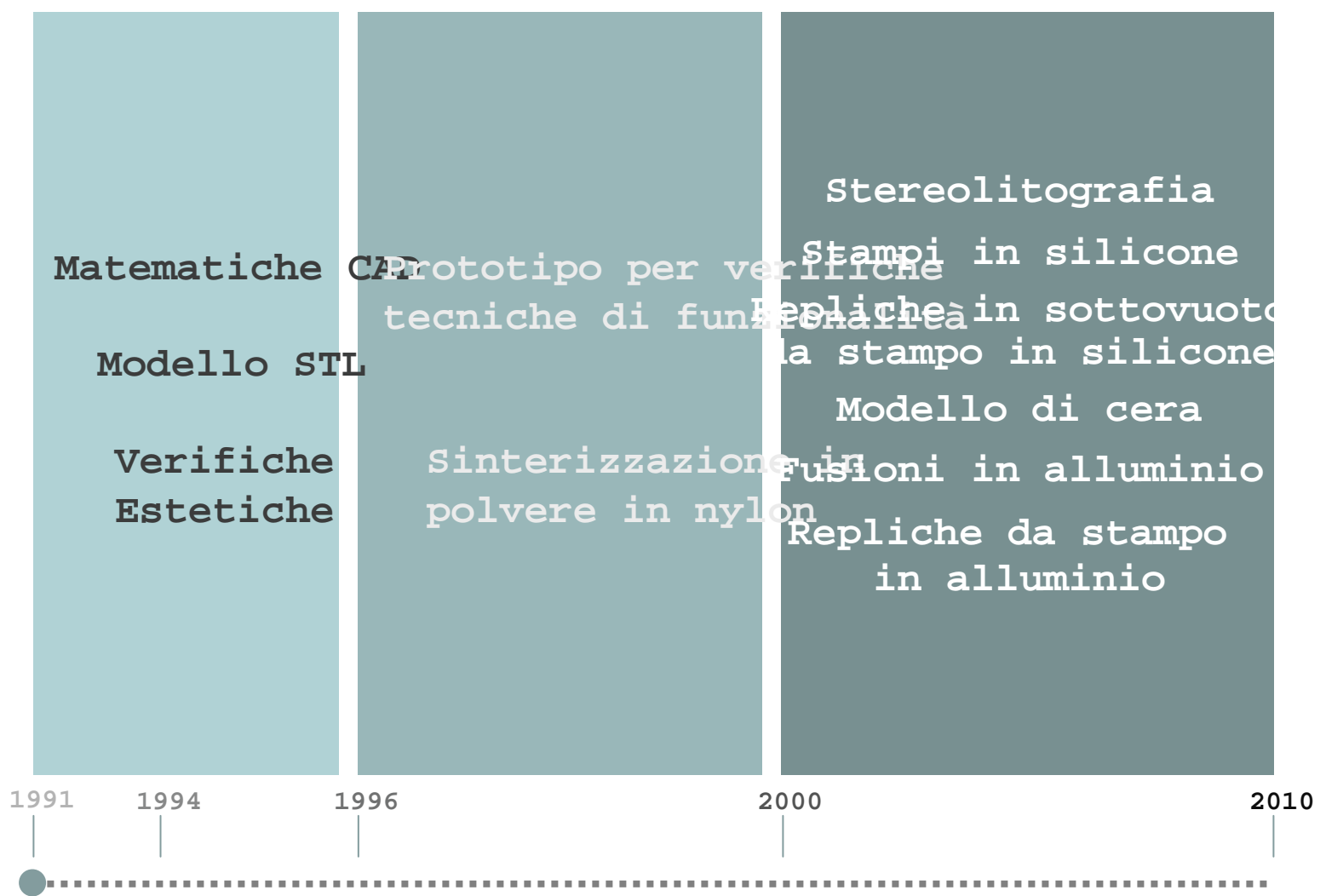
Team

Location

Mission

Process

Gallery





Cable Pulling System | **Giravolta** |
Volta Macchine | Italy



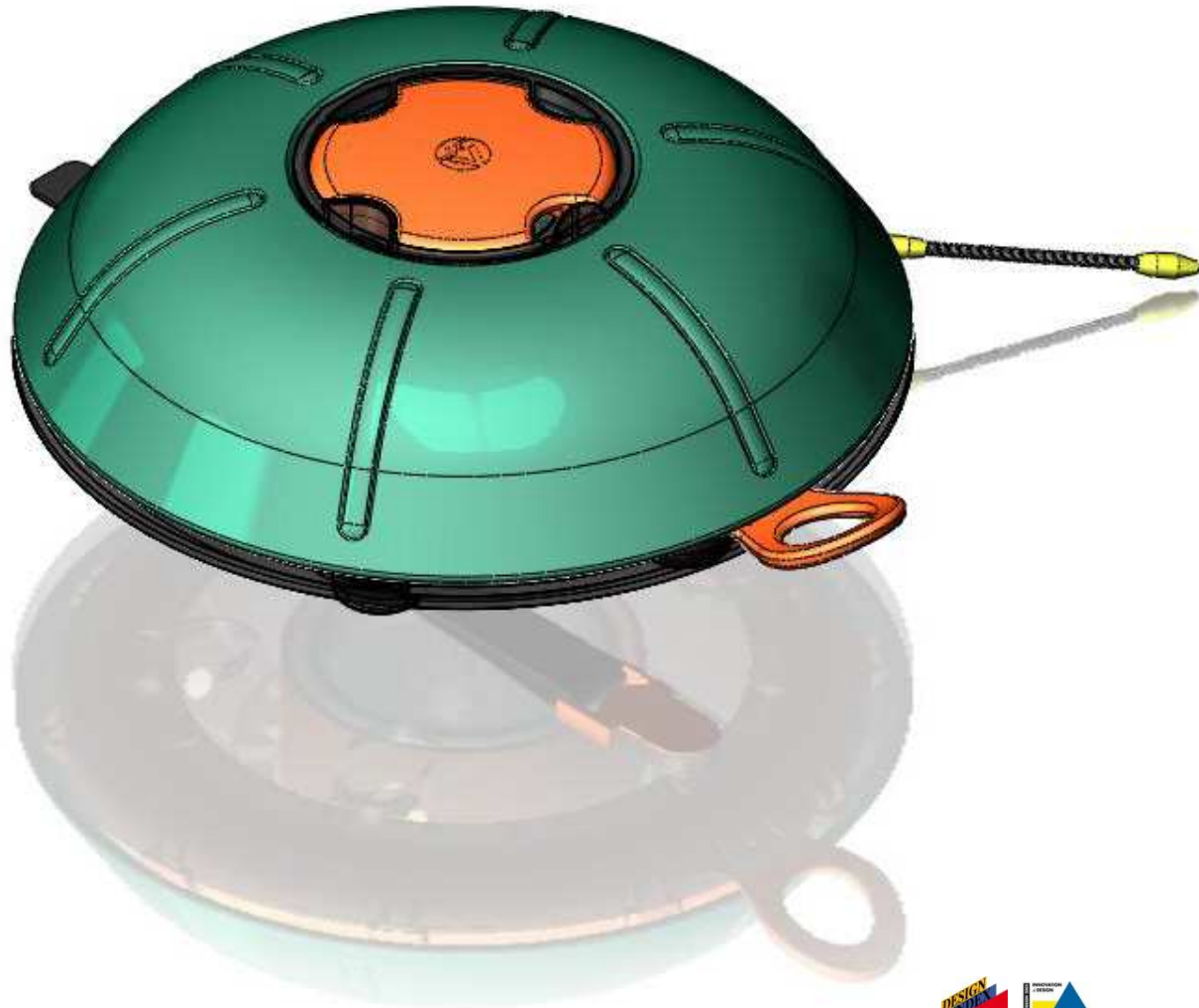
Team

Location

Mission

Process

Gallery



Cable Pulling System | **Giravolta** |
Volta Macchine | Italy



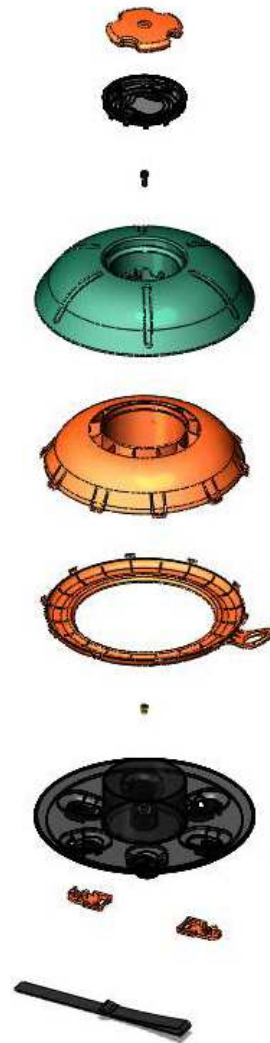
Team

Location

Mission

Process

Gallery



Cable Pulling System | Giravolta |
Volta Macchine | Italy



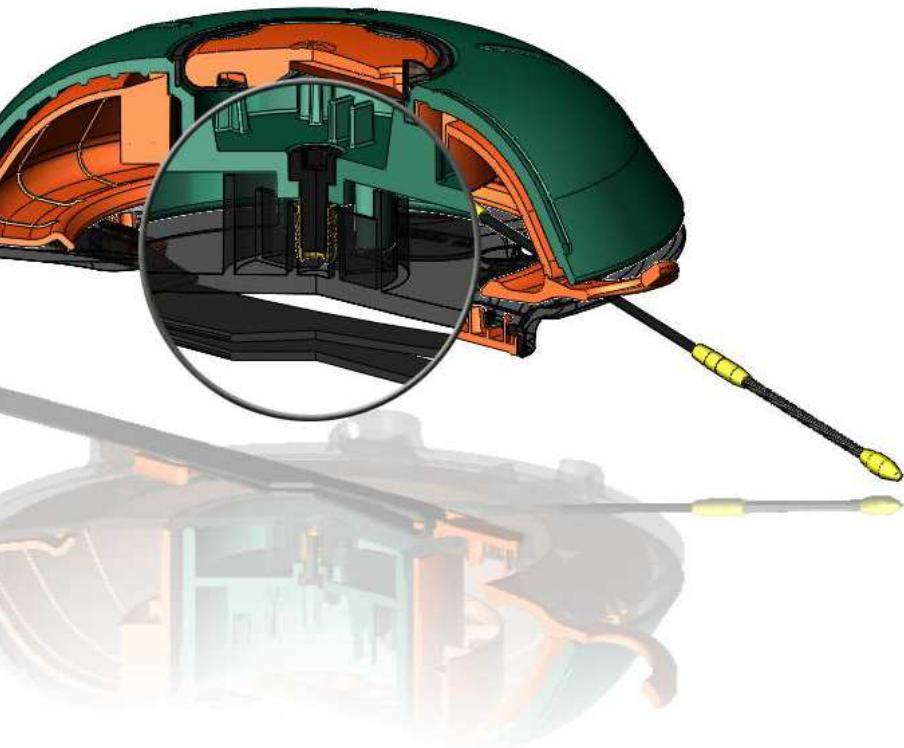
Team

Location

Mission

Process

Gallery



Cable Pulling System | **Giravolta** |
Volta Macchine | Italy



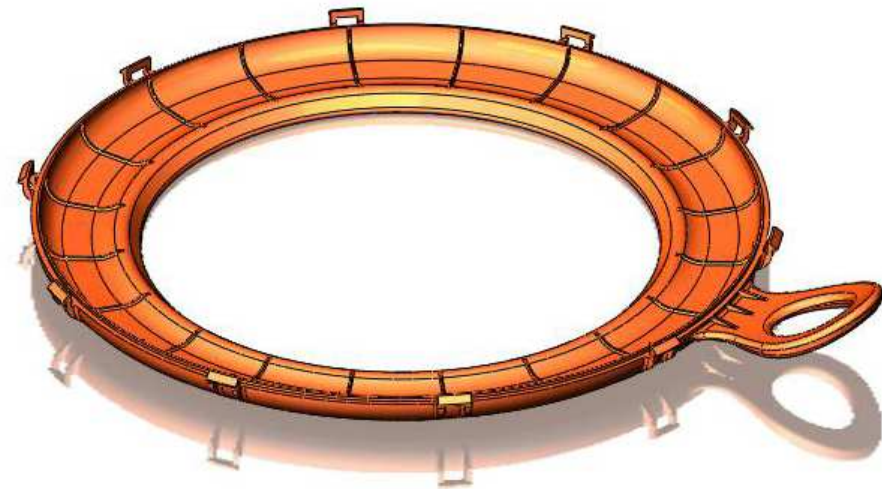
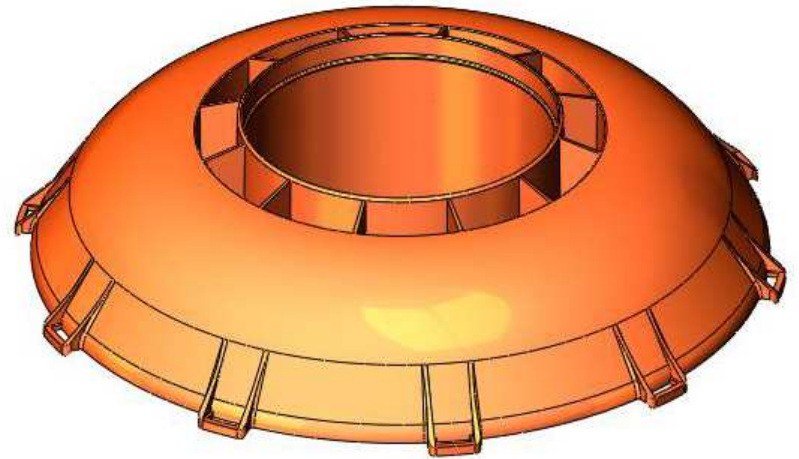
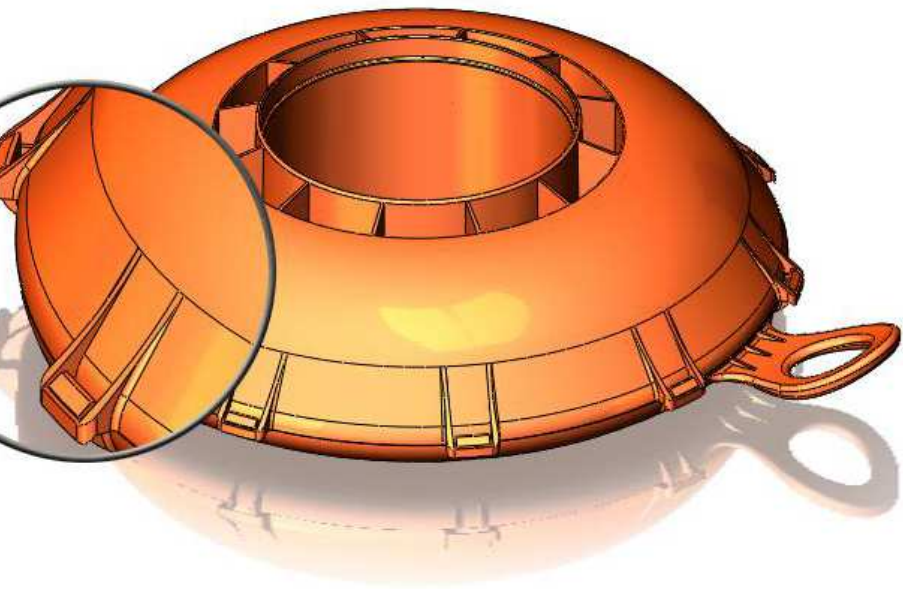
Team

Location

Mission

Process

Gallery



Cable Pulling System | **Giravolta** |
Volta Macchine | Italy



Team

Location

Mission

Process

Gallery



Cable Pulling System | **Giravolta** |
Volta Macchine | Italy



Team

Location

Mission

Process

Gallery